

GAIN ADVANCED MALWARE PROTECTION AT THE WEB GATEWAY

Content Analysis System S200/S400/S500

The Blue Coat Content Analysis System is a layered platform that offers you the best protection against known, unknown, and targeted attacks. Combined with Blue Coat ProxySG appliances, the Content Analysis System uses a cutting-edge, layered approach to protecting against known and unknown threats, and includes AV technology, whitelisting, static code analysis, and dynamic analysis (sandboxing). This fusion of content and malware analysis sandboxing functions provides the best malware protection against targeted attacks on the market today.

Together, the Content Analysis System and ProxySG deliver superior performance and scalability, so you can protect against viruses, Trojans, worms, spyware, and other forms of malicious content – even when users aren't running anti-malware software at the desktop.

Inline Threat Analysis

The Content Analysis System's best-of-breed strategy allows Blue Coat to partner with visionary security vendors to offer superior protection. Leading malware engines from Kaspersky™, Sophos™, and McAfee® are supported with updates as frequently as every 5 minutes, providing better protection than desktop anti-malware solutions. Threat detection engines include checksum signature matching for known threats, command and content behavioral analysis for proactive detection, and emulation mode for deep script and executable analysis.

Unique to Blue Coat, deferred scanning keeps long load objects like web radio and other media out of processing threads, optimizing web gateway performance. The Content Analysis System supports four modes of content analysis; including traditional object analysis, trickle first or last stream analysis, and deferred scan.

The system can be configured to analyze both inbound and outbound traffic and include options such as **set time-out duration**, **drop file if errors in detection occur**, and **define trusted sites**. Policy can be set for allow/deny lists, with extensions, along with file size and content type restrictions. Alerts and log files can also be customized.

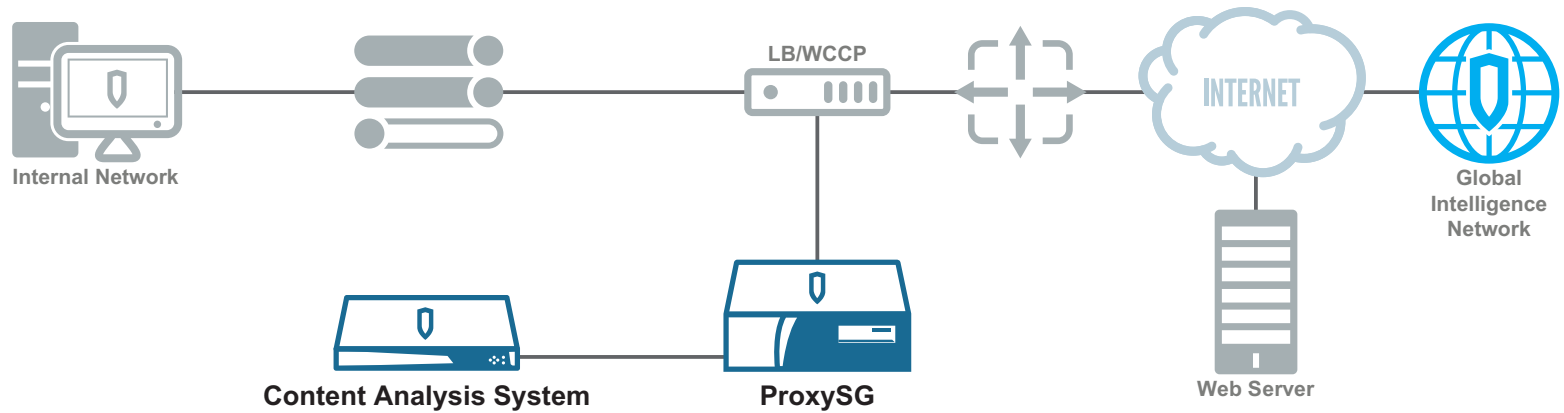
Scan Everything

The Content Analysis System provides best-in-class malware scanning with performance and security, and can scan files up to 5GB in size and analyze compressed archives up to 99 layers deep. When files are properly unpacked, the Content Analysis System gains the ability to reveal malicious content that may have been intentionally hidden, exposing intended behavior.

AT A GLANCE

Benefits

- Fewer appliances mean less management and rack space, providing a better ROI.
- Built-in investment protection with 4 and 5 year service contracts
- Best-of-breed architecture
- Innovative layered approach to security
- Integration with Blue Coat eco-system
- No tradeoff between security and performance
- Delivers enterprise-class, comprehensive malware detonation and analysis using a unique, dual-detection approach to quickly analyze suspicious files and URLs, interact with running malware to reveal its complete behavior, and expose zero-day threats and unknown malware.



Blue Coat Content Analysis System combines advanced content and malware analysis with the ProxySG.

	CAS S200-A1	CAS S400-A1	CAS S400-A2	CAS S400-A3	CAS S400-A4	CAS S500-A1
PERFORMANCE						
Throughput	25Mbps	50Mbps	100Mbps	250Mbps	500Mbps	1000Mbps
SYSTEM						
Disk Drives	500GB (1x500GB)	1TB (2 x 500GB)	1TB (2 x 500GB)	1TB (2 x 500GB)	1TB (2 x 500GB)	6 x 1TB
RAM	6GB	16GB	16GB	32GB	32GB	128GB
Onboard Ports	(2) 1000Base-T Copper ports (with bypass) (2) 1000Base-T Copper ports (non-bypass) (1) 1000Base-T Copper, System Management Port (1) 1000Base-T Copper, BMC Management Port					(2) 10GBase-T Copper ports (without bypass) (1) 1000Base-T Copper, System Management Port (1) 1000Base-T Copper, BMC Management Port
Optional NICs	4x10/100/1000Base-T (Copper with bypass capability) 4x1GbE Fiber-SR (with bypass capability, full height slot only)	4x10/100/1000Base-T (Copper with bypass capability) 4x1GbE Fiber-SR (with bypass capability, full height slot only) 2x10Gb Base-T (Copper with bypass capability) 2x10Gb Base-T (Copper non-bypass) 2x10Gb Fiber (SR with bypass capability) 2x10Gb Fiber (LR with bypass capability)				
Available Slots	1 full height	1 full height / 1 half height				2 full height / 4 half height
Power Supplies	1	2				2

PHYSICAL PROPERTIES	CAS S200	CAS S400	CAS S500
DIMENSIONS AND WEIGHT			
Dimensions (L x W x H)	446.3mm x 440.0mm x 43.5mm (17.57in x 17.32in x 1.71in) (chassis only) 454.5mm x 482.6mm x 43.5mm (17.89in x 19.0in x 1.71in) (chassis with extensions) Note: 640mm L (25.81in L) with optional slide rails	572mm x 432.5mm x 42.9mm (22.5in X 17.03in X 1.69in) (chassis only) 643mm x 485.4mm x 42.9mm (25.3in X 19.11in X 1.69in) (chassis with extensions)	710mm x 433.3mm x 87.2mm (27.95in x 17.05in x 3.43in) (chassis only) 812.8mm x 433.4mm x 87.2mm (32in x 17.06in x 3.43in) (chassis with extensions)
Form Factor	1 RU height	1 RU height	2 RU height
Weight (maximum)	Approx. 7.4 kg (16.4 lbs) +/- 5%	Approx. 12.8 kg (28 lbs) +/- 5%	Approx. 30 kg (66.12 lbs) +/- 5%
OPERATING ENVIRONMENT			
Power	100-127VAC @ 6A 200-240V @ 3A, 47-63Hz	Dual redundant and hot swappable power supplies, AC power 100-127V @ 8A 200-240V @ 4A, 47-63Hz	Dual redundant and hot swappable power supplies, AC power 100-240V, 50-60Hz, 12-5A
Maximum Power	350 Watts	450 Watts	1100 Watts
Thermal Rating	Typical: 785 BTU/Hr, Max: 1195 BTU/Hr	Typical: 1086 BTU/hr, Max: 1381 BTU/hr	Typical: 2598.42 BTU/Hr, Max: 3751 BTU/Hr
Optional DC Power	Not available	Input voltage range: 40.5V - 57V Input Max Current: 22A Total Output Power: 770W	Input voltage range: 40 - 72 VDC Input Max Current: 30A Total Output Power: 1100W
Temperature	5°C to 40°C (41°F to 104°F) at sea level		
Humidity	20 to 80% relative humidity, non-condensing		
Altitude	Up to 3048m (10,000ft)		
FOR ALL CONTENT ANALYSIS SYSTEM MODELS			
REGULATIONS	SAFETY	ELECTROMAGNETIC COMPLIANCE (EMC)	
International	CB – IEC60950-1, Second Edition	CISPR22, Class A; CISPR24	
USA	NRTL – UL60950-1, Second Edition	FCC part 15, Class A	
Canada	SCC – CSA-22.2, No.60950-1, Second Edition	ICES-003, Class A	
European Union (CE)	CE – EN60950-1, Second Edition	EN55022, Class A; EN55024; EN61000-3-2; EN61000-3-3	
Japan	---	VCCI V-3, Class A	
Mexico	NOM-019-SCFI by NRTL Declaration	---	
Argentina	S Mark – IEC 60950-1	---	
Taiwan	BSMI – CNS-14336-1	BSMI – CNS13438, Class A	
China	CCC – GB4943.1	CCC – GB9254; GB17625	
Australia/New Zealand	AS/NZS 60950-1, Second Edition	AS/ZNS-CISPR22	
Korea	---	KC – RRA, Class A	
Russia	CU – IEC 60950-1	GOST-R 51318.22, Class A; 51318.24; 51317.3.2; 51317.3.3	
ENVIRONMENTAL	RoHS-Directive 2011/65/EU, REACH-Regulation No 1907/2006		
PRODUCT WARRANTY	Limited, non-transferable hardware warranty for a period of one (1) year from date of shipment. BlueTouch Support contracts available for 24/7 software support with options for hardware support.		
GOV'T CERTIFICATIONS	For further government certification information please contact Federal_Certifications@bluecoat.com		
MORE INFO	Contact regulatoryinfo@bluecoat.com for specific regulatory compliance certification questions and support		